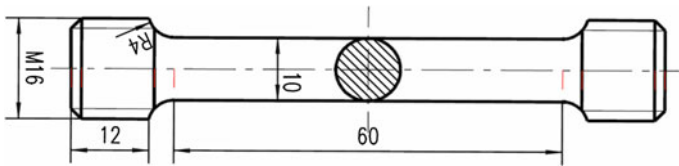
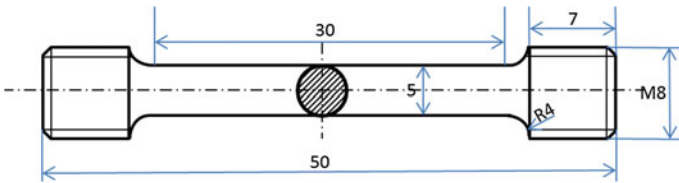


# Appendix

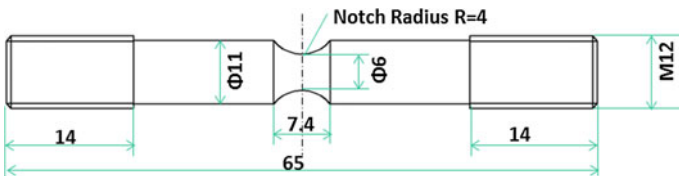
Sketches of different tested specimens used in the thesis are shown.



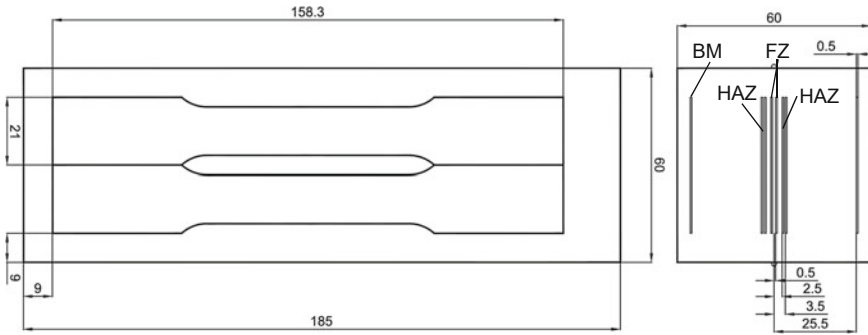
A.1: Sketch of standard tensile round bar (M16).



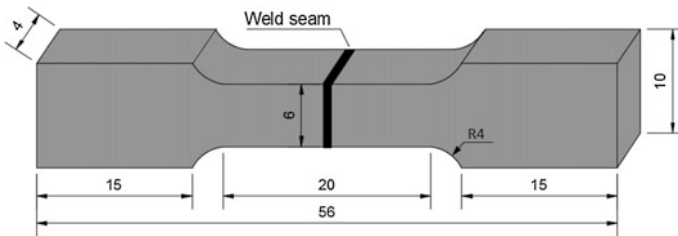
A.2: Sketch of standard tensile round bar (M8).



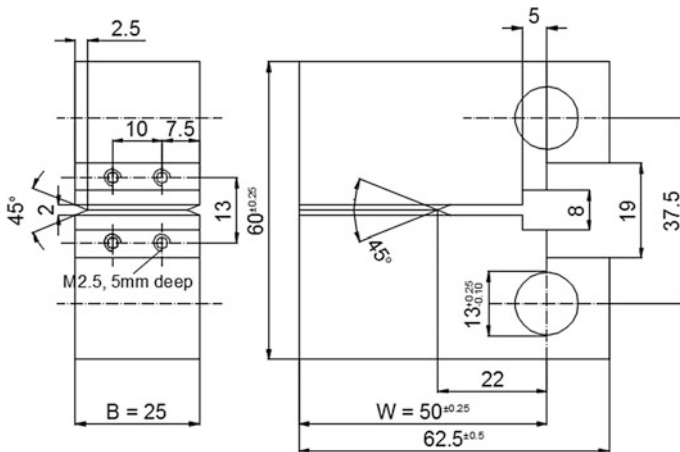
A.3: Sketch of 4 mm notched round bar.



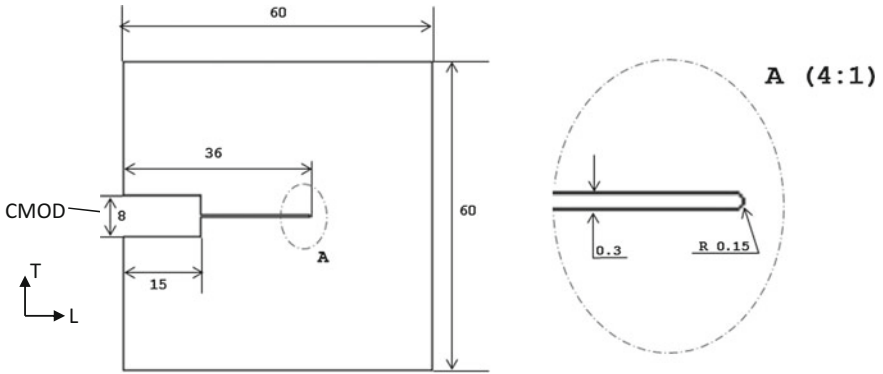
A.4: Sketch of extraction positions of manufacture blocks and the dimension of the flat specimens.



A.5: Sketch of transverse flat specimen where the weld seam is located in the center of the specimen.



A.6: Sketch of the compact tension specimen [(C(T)25] with 20% side groove.



A.7: Sketch of the thin sheet (1 mm) specimen used for in situ laminography study with the dimensions of  $60 \times 60 \times 1 \text{ mm}^3$ .